

① ADDITIONAL STEEL REINFORCEMENT FOR PIPE CHAMBER  
( H = 8' TO 15' , GRADE CONDITION )

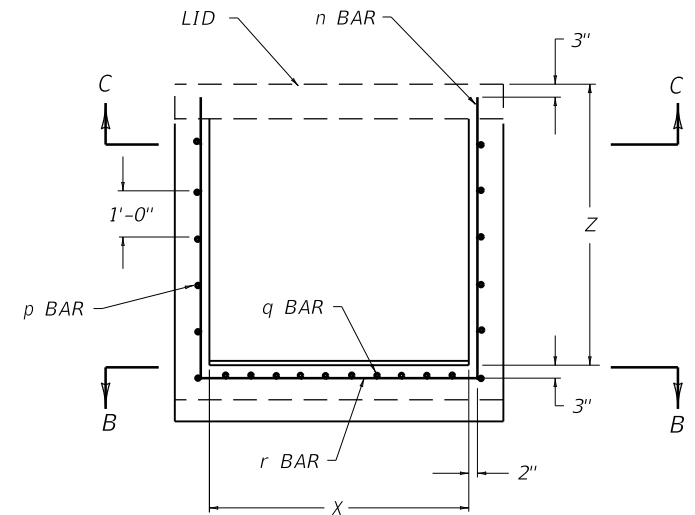
SIZE ②		NO. 5 STEEL BARS									
X	Y	BAR n ③		BAR p ④		BAR q		BAR r		LBS. ⑤	
		QTY.	LIN. FT.	QTY.	LIN. FT.	QTY.	LIN. FT.	QTY.	LIN. FT.	TOTAL	⑥
2'-3"	2'-0"	20			10'-9"	4	2'-6"	4	2'-9"	214	32
	2'-6"	22			11'-9"		3'-0"	5		238	35
2'-6"	2'-0"				11'-3"	5	2'-6"	4	3'-0"	234	
	2'-6"	24			12'-3"		3'-0"	5		258	38
3'-0"	2'-0"				12'-3"	6	2'-6"	4	3'-6"	257	
	2'-6"	26			13'-3"		3'-0"	5		283	41
3'-6"	2'-0"				14'-3"	7	2'-6"	4	4'-0"	281	
	2'-6"	28			15'-3"		3'-0"	5		307	44
4'-0"	2'-0"				16'-3"	8	2'-6"	4	4'-6"	304	
	2'-6"	30			17'-3"		3'-0"	5		332	47
4'-6"	2'-0"					9	2'-6"	4	5'-0"	328	
	2'-6"	32					3'-0"	5		356	50
5'-0"	2'-0"					10	2'-6"	4	5'-6"	351	
	2'-6"	34					3'-0"	5		381	53

① ADDITIONAL STEEL REINFORCEMENT FOR PIPE CHAMBER  
( H = 8' TO 15' , SAG CONDITION )

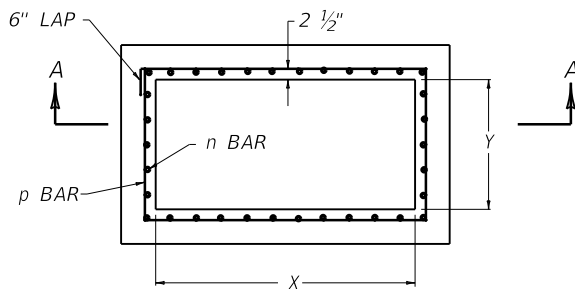
SIZE ②		NO. 5 STEEL BARS									
X	Y	BAR n ③		BAR p ④		BAR q		BAR r		LBS. ⑤	
		QTY.	LIN. FT.	QTY.	LIN. FT.	QTY.	LIN. FT.	QTY.	LIN. FT.	TOTAL	⑥
4'-11"	2'-0"	32	6'-0"	6	16'-1"	10	2'-6"	4	5'-5"	350	50
	2'-6"	34			17'-1"		3'-0"	5		379	53

~ NOTES ~

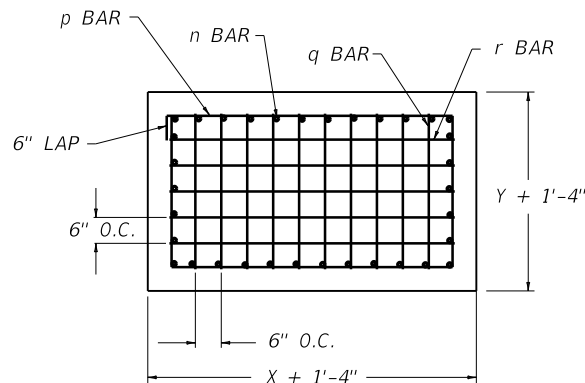
- ① BASED ON "Z" AS EQUAL TO 6'-0".
- ② SEE CUR. STD. DWG. RDB-030 FOR LOCATION AND DIMENSIONS.
- ③ LENGTH OF "n" BAR IS ALWAYS SAME AS "Z" DIMENSION.
- ④ ADD OR SUBTRACT ONE "p" BAR PER EVEN FT. VARIANCE FROM 6'-0" "Z".
- ⑤ NO DEDUCTIONS HAVE BEEN MADE FOR PIPE.
- ⑥ ADD OR SUBTRACT LBS. STEEL PER FT. VARIANCE FROM 6'-0" "Z".
7. REINFORCEMENT SHALL HAVE A CLEAR DISTANCE OF 2" FROM THE FACE UNLESS OTHERWISE SHOWN.



SECTION A-A



SECTION C-C



SECTION B-B

USE WITH CUR. STD. DWGS.  
RDI-200 RDB-014 RDB-030  
RDB-031 RDB-032 RDB-033  
RDB-034

KENTUCKY  
DEPARTMENT OF HIGHWAYS

DROP BOX INLET  
TYPE 16  
( ADDITIONAL STEEL- CHAMBER )

STANDARD DRAWING NO. RDB-035-04

SUBMITTED *[Signature]* 12-01-15  
DATE  
APPROVED *[Signature]* 12-01-15  
DATE